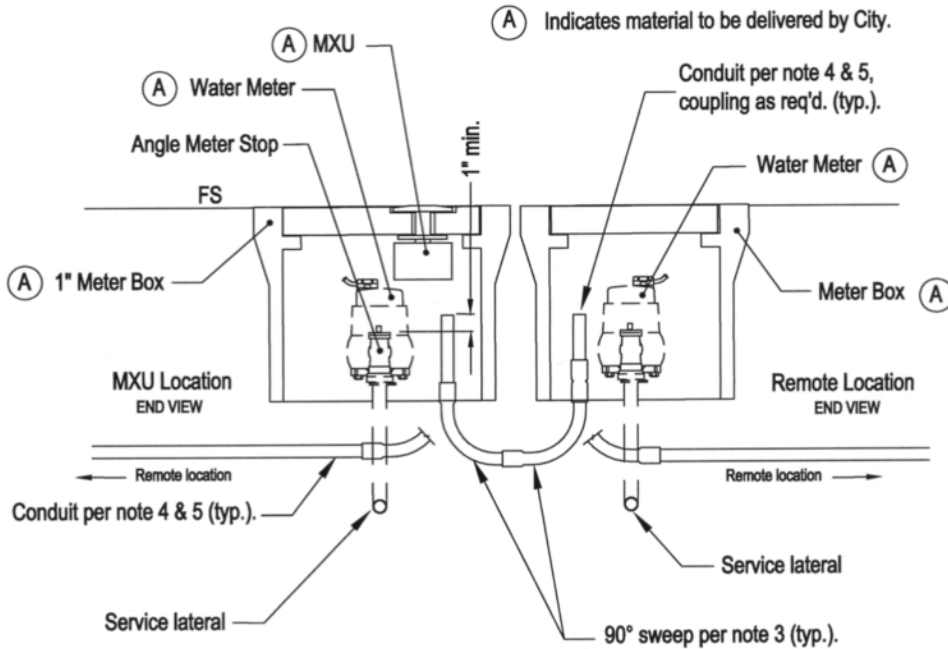


METER CONDUIT REQUIREMENTS FOR AMR INSTALLATIONS



TYPICAL CONDUIT SETTING
END VIEW

1. Refer to Standard 2.13 for water meter installation policy.
2. Conduit runs in excess of 10 feet shall have Winmore Brand 6500 Pull Line (or approved equal) with a 210 lb. breaking strength installed with a minimum of 12 inches of pull line duct taped to the outside of the conduit.
3. Install 1" dia. (multi wire) or 1/2" dia. (single wire) sch. 40 (grey) electrical PVC 90° sweep. Solvent weld joint per manufacturer specifications.
4. Install 1" dia. (multi wire) or 1/2" dia. (single wire) sch. 40 (grey) electrical PVC. Solvent weld joint per manufacturer specifications. Conduit shall maintain a consistent cover over length of run.
5. The conduits shall be blown free of all foreign material and the terminal ends of the conduit installation shall be sealed with duct tape or PVC electrical tape.
6. Conduits shall be installed where specified on plans, specifications or as directed by City.
7. A conduit run shall not exceed 360° of total bends and shall minimally meet all applicable sections of the National Electrical Code, latest edition.
8. Maximum distance from MXU to furthest remote meter shall be 20'.

Approved by:

D. E. Smith 12-29-06
Date
City Engineer R.C.E. 14527

Drawn by: JSWilliams
Date: June 9, 2006

Revised by: JSWilliams
Date:

Effective Date: January 9, 2007



City of Glendora
Public Works Department
STANDARD DESIGNS & SPECIFICATIONS

Adopted for use on Public and Private Improvements

S.D. & S. NO.

2.14

Page 1 of 2